

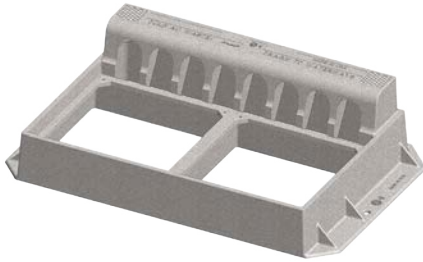
### 7565 CATCH BASIN CURB INLET

Heavy duty  
 With Type 5425 M2 grate and T3 Back 2"  
 curb radius  
 Approximate 440 sq. in. open area

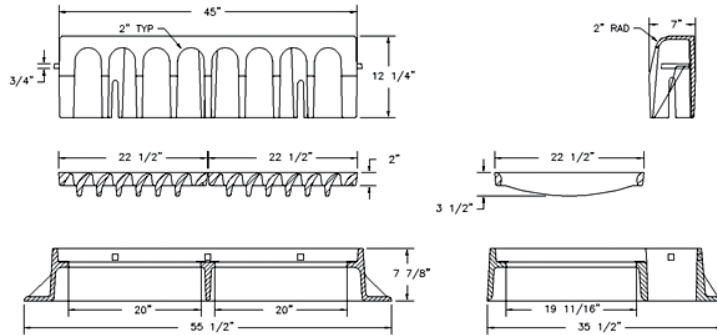
Options  
 Type T1 back with "DUMP NO WASTE!"  
 lettering and fish image  
 Monolithic frame — 7565Z1



Illustrating 7565ZPT frame with 5425M2 bolted right hand vane grates and adjustable T3 back



7565Z1 monolithic 1 piece frame



Supplied By:



877-903-7246

www.trenchdrainsupply.com

